

# Sigtronics UltraSound CFR



## Crash Fire Rescue Intercom

**W**hen seconds count, clear communication is everything. Designed for Crash Fire Rescue vehicles, Sigtronics UltraSound CFR Intercoms enhance crew safety and efficiency.

Our CFR intercoms are engineered to interface with all mobile radios and will allow transmission on multiple radios from two or more positions. And with Voice Activation our intercoms turn on instantly when you start speaking and turn off when you stop, eliminating the constant noise pick-up through the headset microphone.

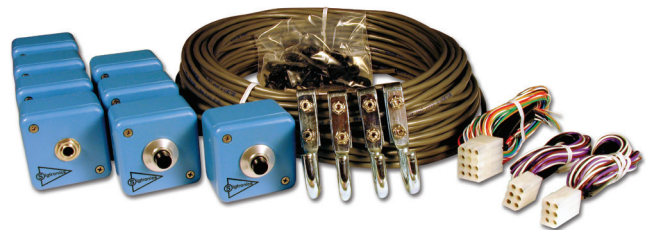
Radio transmit is by way of the headset microphone, this eliminates the need to reach for the hand mic. Placement of the push-to-talk switches can then be in the most accessible locations. Intercom function is automatically disabled during transmission so that only the voice of the person transmitting goes over the air, however his voice is heard by all crew members.

Crash Rescue vehicles are big, powerful, and often loud. Combine the UltraSound CFR intercom with a set of our noise attenuating headsets for a system that will deliver the maximum in crew hearing protection.

**Versatility:** Systems are available for all CFR apparatus and emergency vehicles. Our standard system will provide four headsets positions with two radio transmit positions.

**Fail Safe:** The mobile radio, hand microphone and speaker will function normally with the intercom installed. The transmit keying circuit is fully isolated to provide for all radio keying configurations.

**Simple Installation:** The UltraSound CFR is small, light weight and mounts above or below the panel and adjusts for easy viewing. The intercom package comes with all the necessary mounting hardware for installation in the apparatus.



Small rugged mounting boxes, (1<sup>5</sup>/<sub>16</sub>" x 2" x 2") are provided with every unit to accommodate headset jacks and push-to-talk switches. Complete and easy to follow installation and operating instructions are provided with each system.

The industry standard of excellence in aircraft high noise environment intercoms since 1974, Sigtronics introduced the same advanced technology to emergency apparatus intercom systems in 1989.

To insure the highest quality and reliability, all Sigtronics products are designed and manufactured in the U.S.A.

Sigtronics has a comprehensive customer support program as well as a dedicated 800 line for technical support and installation information.

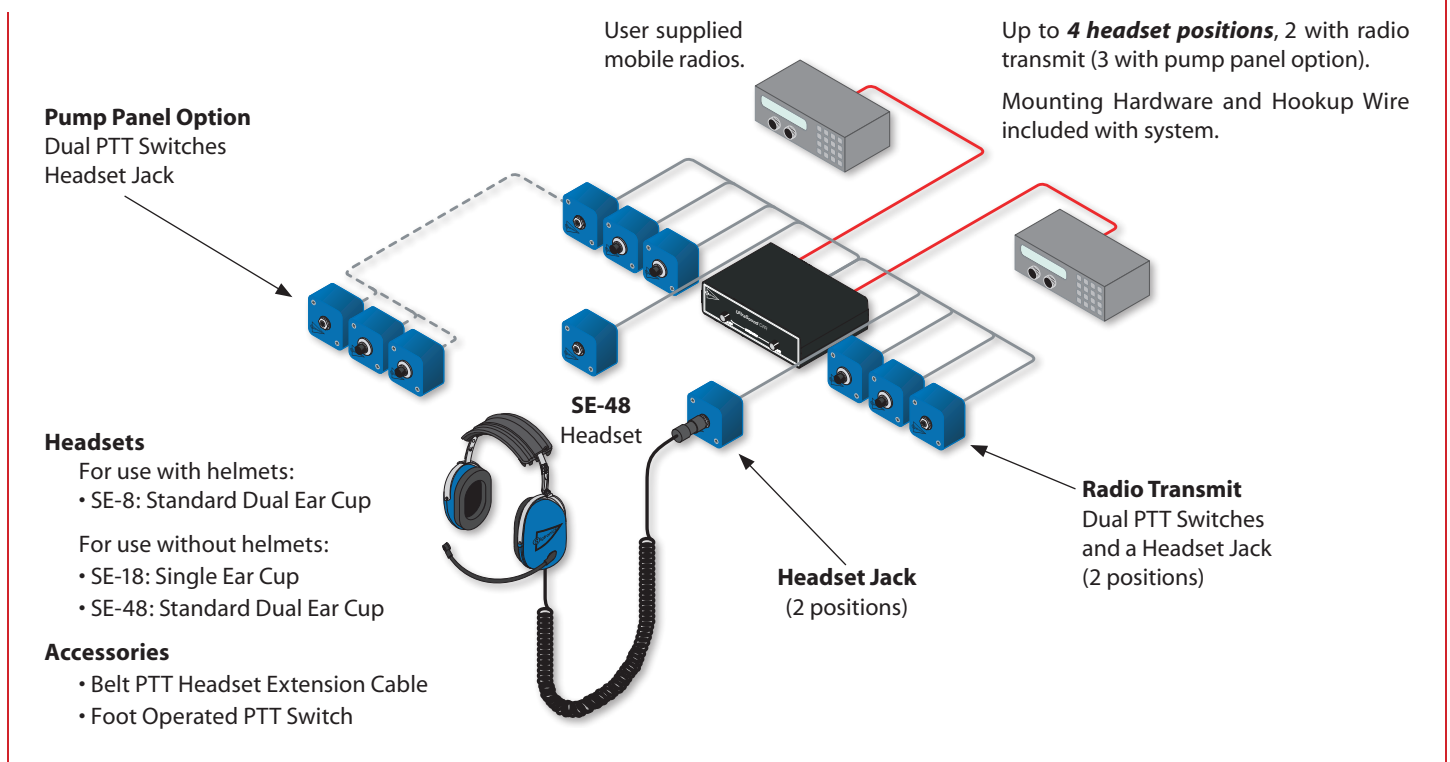
**Sigtronics Corporation**

1-800-367-0977 • [www.sigtronics.com](http://www.sigtronics.com)

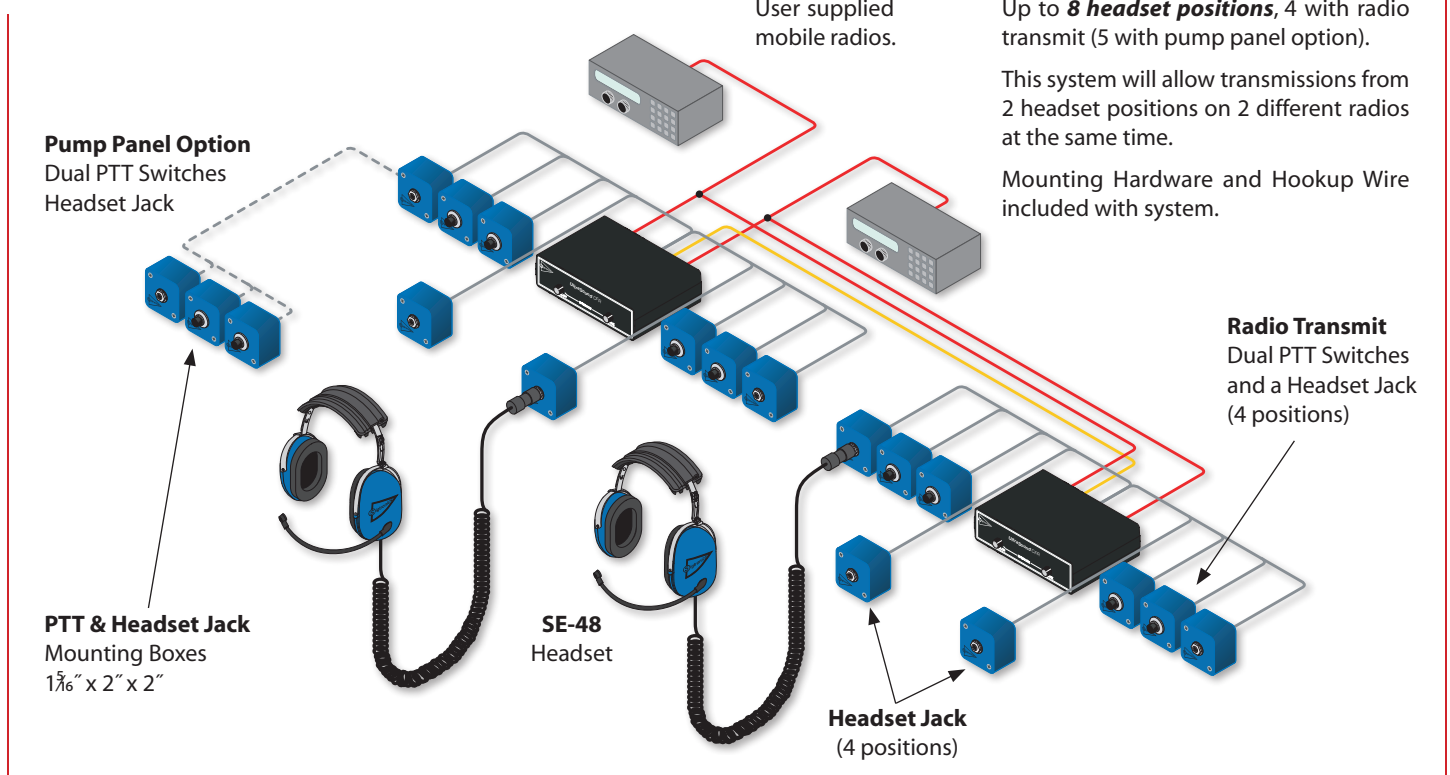
*Clear Communication*  
**EVERY TIME**



## UltraSound CFR Crash Fire Rescue Intercom



## UltraSound CFR ST Crash Fire Rescue Intercom Simultaneous Transmit



Headsets and mobile radios not included with intercom system.

### Sigtronics Corporation

178 East Arrow Highway  
San Dimas, CA 91773

Phone: 1-800-367-0977  
E-mail: info@sigtronics.com  
Web Site: www.sigtronics.com

