

The headset parts may be cleaned with mild soap and water using a soft cloth. Then dry immediately. **Caution: Do Not immerse** any part of the headset in water or any other liquid. Be especially careful not to allow the microphone to become wet! Exposure to moisture may cause internal corrosion and failure and will void your manufacturers warranty.

Cleaning will help the headset maintain its "like new" condition for many years.

### WINDSCREEN

The microphone windscreen will reduce annoying wind noise and breath pops picked up by headset microphones. It also protects the microphone element from dirt and moisture. The windscreen should be washed regularly to maintain hygiene and avoid clogging. Wash in warm water and mild soap. Rinse thoroughly and make sure it is completely dry before putting it back on.

To remove the windscreen, carefully grasp the windscreen lightly along its entire length and remove from the microphone element being careful not to twist the element itself.

Put the windscreen on the microphone by gently pulling from the open end. Do not pull it so tightly that it stretches against the end of the microphone.

### WARRANTY

Your headset is covered by a limited one-year parts and labor warranty. Please see the enclosed warranty card for details.

You may refer to the parts list on the reverse side, if you choose to replace parts yourself. The parts list describes parts for this particular headset only. Parts lists for other models are available on our Web Site or can be obtained by contacting Sigtronics Corporation.



Sigtronics Corporation  
178 East Arrow Highway  
San Dimas, CA 91773  
**Phone:** 909 305-9399  
**E-mail:** info@sigtronics.com  
**Web Site:** www.sigtronics.com

# Model SE-18 Headset Instructions

The SE-18 series headset is adjusted at the factory for immediate use. The headset is equipped with a single plug and a coiled cord.

The headband is adjustable through a full range of motion, and the locking nuts may be tightened to allow you to custom fit the headphone. Place the head-phone over your head and adjust the slides up until minimum pressure is felt on the top of your head. For maximum noise attenuation, the clamping pressure of the headband has been set at the factory. Releasing the clamping pressure by bending the headband is **not advised**, because loss of attenuation will result.

The microphone boom is fully adjustable and will rotate 180 degrees for use on the left or right side of the head.

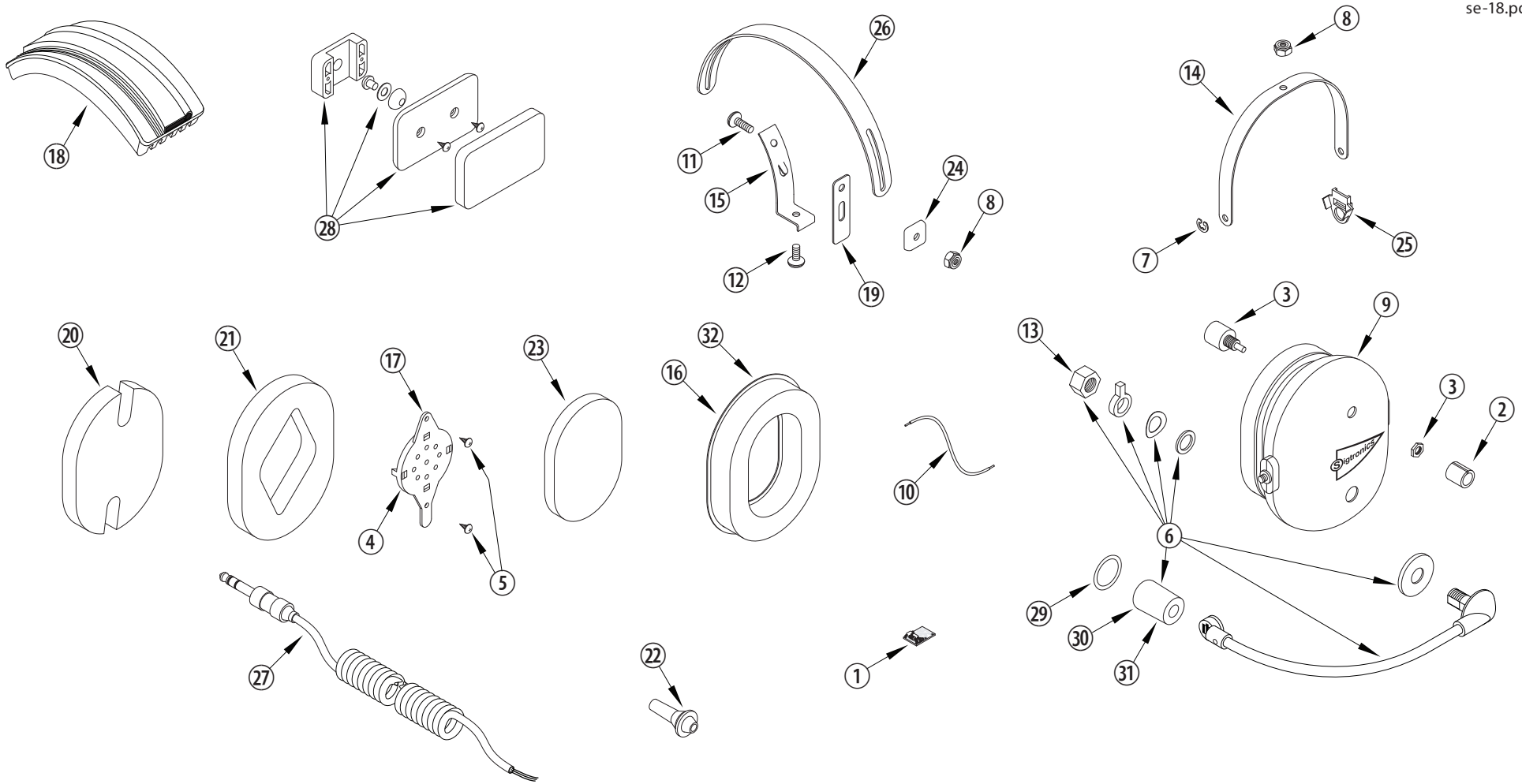
**Make sure you are speaking into the side of the mic labeled "Talk" or substantial loss of gain will occur. Microphone placement should be at the corner of the mouth, approximately ¼" from the lips.**

When you **first connect the headset**, turn the volume control on the headset up to the full clockwise position, then adjust the listening volume with the audio control of either your radio or intercom as appropriate. If applicable, crew members should also turn their individual headset volumes up fully. Doing this allows for a full range of adjustment for each passenger, since those with the most acute hearing can turn their headset volume down, if necessary.

continued on back...



**...when it counts!**



**SIGTRONICS SE-18 HEADSET PARTS IDENTIFICATION BREAKDOWN**

ITEM	P/N	DESCRIPTION	ITEM	P/N	DESCRIPTION	ITEM	P/N	DESCRIPTION
1	800192	PREAMP	12	100364	SCREW, 8-32 X 3/8, PHILLIPS HEAD	23	100379	FOAM, SOUND ATTENUATING, RECEIVER COVER, 1/4 INCH
2	100063	KNOB, 3/8 INCH, BLACK, VOLUME	13	100597	NUT, HEX, 3/8-24, FLEX BOOM ADAPTER	24	100258	CLIP, HEADBAND GUIDE, PLASTIC
3	100077	POTENTIOMETER	14	100367	YOKE, EAR CUP MOUNT, METAL	25	100393	CLIP, ANTI-ROTATION, YOKE, PLASTIC
4	100079	RECEIVER, 300 OHM, MONO	15	100384	BRACKET, YOKE SUPPORT WITH TANG	26	100257	HEADBAND, METAL, LARGE
5	100108	SCREW, 4-40 X 1/4, THREAD FORMING	16	100369	EAR SEAL, FOAM FILLED	27	800035	CABLE, HEADSET, STEREO, COILED
6	800193	MICROPHONE & FLEX BOOM ASSEMBLY	17	100370	RECEIVER MOUNT, HEADSET	28	800118	HEADPAD ASSEMBLY, SIDE, WITH CUSHION, SE-18
7	100251	E-RING, EAR CUP TO YOKE RETAINER	18	800198	HEADPAD WITH CUSHION, TOP, SE-18	29	100612	O-RING, WINDSCREEN RETAINER, SE-18
8	100252	NUT, HEX, 8-32, LOCKING	19	100373	SLIDE, YOKE BRACKET, LONG, NYLON	30	900111	WINDSCREEN, MICROPHONE, FOAM, PACKAGED
9	100361	EAR CUP, PRINTED AND DRILLED	20	100374	FOAM, SOUND ATTENUATING. NOTCHED, 1/2 INCH	31	100611	WINDSCREEN, MICROPHONE, FOAM, BULK
10	100221	WIRE, #22, 19 STRAND, 4 INCH	21	100376	FOAM, SOUND ATTENUATING. RECEIVER HOLE, 1/2 INCH	32	100402	OPTIONAL - EAR SEAL, GEL FILLED
11	100363	SCREW, 8-32 X 1/2, PHILLIPS HEAD	22	100568	STRAIN RELIEF, CABLE			