

Sigtronics Y-ADP-JS2 Adapter Installation Instructions



Description

The Sigtronics Y-ADP-JS2 "Y" adapter is designed to simplify the process of connecting a Sigtronics intercom or MRIM-2 system to **EF Johnson** radios. See the Sigtronics web site for specific models.

Installation

1. To select an appropriate mounting location for the adapter, first connect it up to the radio. To do this, unscrew and remove the two screws on the top of the Y-ADP-JS2 adapter. Leave the lid in place on the adapter for now.
2. Unplug the hand mic from the radio, you may also have to unhook the cable strain relief, and plug it into jack on the Y-ADP-JS2 adapter module.
3. Plug the cord connector of the Sigtronics Y-ADP-JS2 adapter into the hand mic connector on radio.
4. Now you are ready to select a mounting location for the adapter. Select a spot out of the way so that the adapter and its cables will not interfere with the normal operation of the vehicle. **Note:** One more cable will have to come out of the adapter for the wires that go to Sigtronics intercom or MRIM-2 unit. This cable can come out of any side of the adapter except the top. For convenience, the bottom of the adapter already has a hole for this. Make sure that the hand mic has enough cable length to be used properly.
5. Hold the adapter on the intended mounting place, remove the adapter lid, and carefully slide the PCB out of its slot. Mark with a pen or pencil through the two mounting holes and the cable hole (if desired) on the bottom of the adapter. **Note:** As an option to using the sheet metal screws, the included double sided foam tape may be used to mount the adapter. If the cable to the Sigtronics intercom or MRIM-2 unit needs to come out the side of the adapter mark that hole also. **Note:** Cable holes on the side of the adapter **should be as close to the bottom as possible** to clear the adapter lid. Drill all the holes and mount with the supplied #10 sheet metal screws.
6. Route the cable from the intercom or MRIM-2 unit through the hole on the adapter. **Note:** Use the wire supplied with the Sigtronics system for

connection to the Y-ADP-JS2 adapter terminal block. If unavailable use wire that has 22 or 24 gauge stranded conductors. Cut to length but leave a few inches for access.

7. Strip the insulation from the individual conductors about 1/2 inch. Twist the conductors to eliminate any loose strands and insert the wires into the terminal block holes. See drawing on back for color code. To insert the wire, use a finger nail or small screw driver, press and hold the selected orange tab towards the circuit board and insert the wire into the matching hole. Make sure the wire is inserted enough into the hole that insulation touches the hole entry (no exposed bare wire). Release the tab. Carefully inspect and fix any loose wire strands that did not make it into the hole. Repeat for all wires. Reinstall the PCB in the slot.
8. Install the provided tie wrap securely on the intercom or MRIM-2 cable so that the wires won't pull out of the adapter box.
9. Replace the adapter box lid making sure the wires do not get pinched around the edges. Reinstall the lid screws. Put the hand mic cable strain relief hook into the eyelet on the corner of the adapter if applicable.

NOTES: Don't forget to also hook up the speaker wires (2 violet wires) from the Sigtronics intercom or MRIM-2 unit to the radio speaker leads. Adjust the Sigtronics intercom or MRIM-2 units transmit and receive levels per their appropriate installation instructions. Your existing radio hand mic and speaker will still function as normal.

WARRANTY: One year parts and labor.

Standard Equipment Included		
Part Description	Part Number	Quantity
Box Cover Screws	100429	2
Box Mounting Screws	100452	2
Foam, Double Sided	100720	1
Tie Wrap	100450	1
Wire Grommet	100049	1

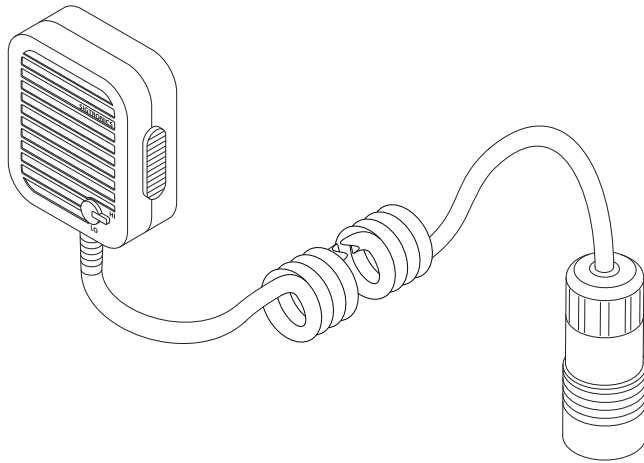


Specialists in "SOUND" Management

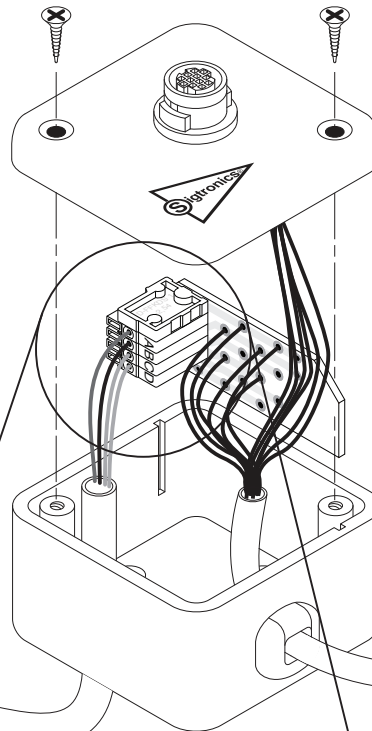
178 East Arrow Highway, San Dimas, CA 91773 (909) 305-9399

Sigtrronics Y-ADP-JS2 "Y" Adapter

Hand Mic



Plug your hand mic into the Y-ADP-JS2 adapter.



Plug this connector into your mobile radio.

Y-ADP-JS2 Adapter

- White: PTT Low
- White: PTT High
- Black: Mic Low
- Brown: Mic High

4 ft. radio interface cable.
To UltraSound, EAI or MRIM-2.
(Supplied with the Sigtrronics intercom)

- Brown:** Mic High. To terminal block **A**
- Either **White:** PTT High. To terminal block **B**
- Either **White:** PTT Low. To terminal block **C**
- Black:** Mic Low. To terminal block **D**

