

Sigtronics PA-PTT Switch

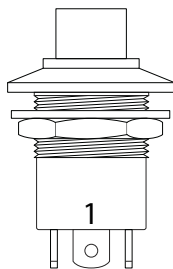


PA-PTT Switch

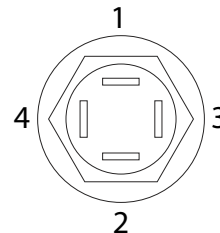
This switch will allow a headset position Vox intercom and PA audio functions. The wiring is for normal Vox intercom as the default with PA audio when the switch is activated.

A wiring diagram for a PA system interfaced to a Sigtronics intercom through a MRIM-2 is on the reverse side. Each headset position that will require both Vox intercom and PA functions will need a PA-PTT Switch.

PA-PTT Switch P/N 100406



PA-PTT Switch Rear View



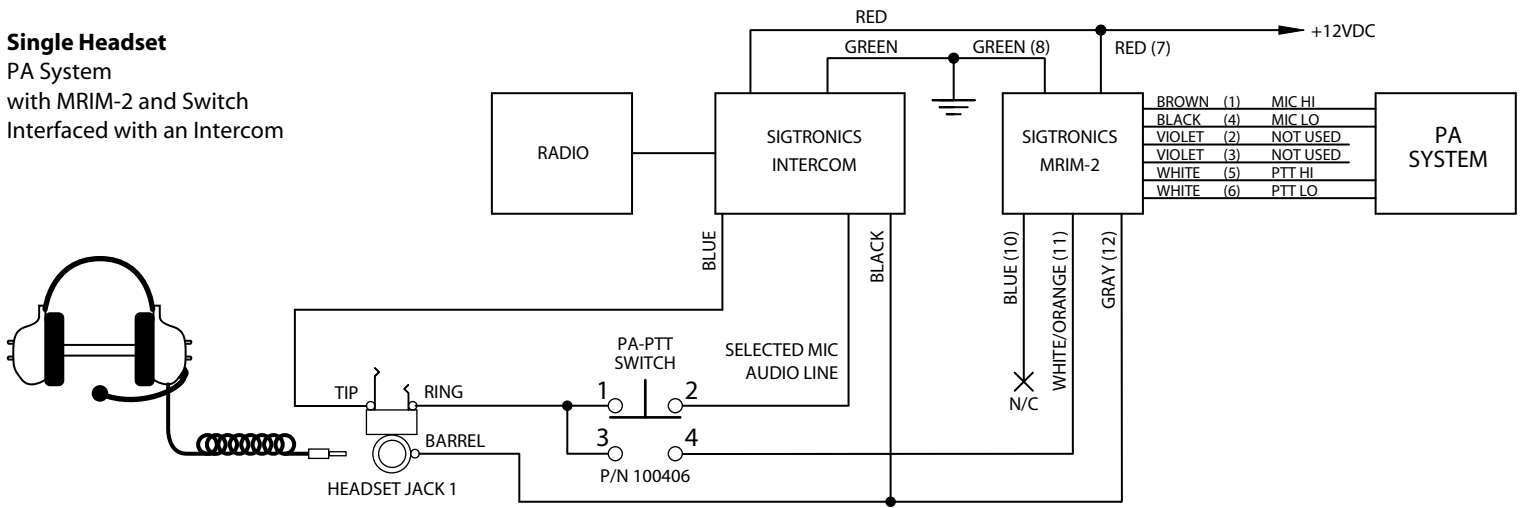
Standard Equipment Included		
Part Description	Part Number	Quantity
Blue Chassis Box	100454	1
Mounting Screw, Black	100452	2
Grommet, 5/16 inch	100049	1
Lid Mounting Screw	100429	2
Switch, DPDT, Momentary	100406	1



Made in the U.S.A.

Specialists in "SOUND" Management
 178 East Arrow Highway, San Dimas, CA 91773 (909) 305-9399

Single Headset
PA System
with MRIM-2 and Switch
Interfaced with an Intercom



Multiple Headsets
PA System
with MRIM-2 and Switch
Interfaced with an Intercom

