

USING FOUR WIRE SPEAKER OUTPUT MUSIC SYSTEMS WITH OLDER ST-400 / ST-600 UNITS

(Applicable serial numbers - RES-400, 1002922 and lower. RES-600, 1050604 and lower)

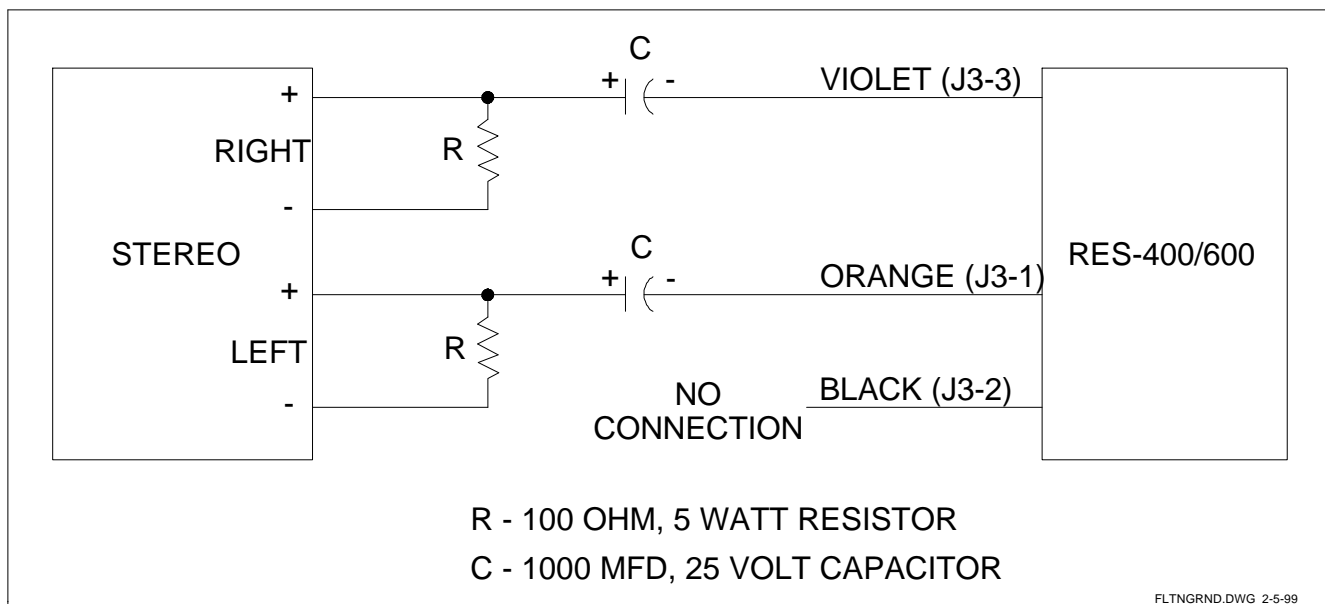
Older ST-400 / ST-600 with the RES-400 or RES-600 stereo music switcher manufactured before 10/96 required a music source with a three wire ground referenced speaker output. Most music sources available today have a four wire floating speaker output (speaker wires labeled RIGHT +, RIGHT -, LEFT +, and LEFT-). These types of outputs cannot be tied together or tied to ground. Because of this they cannot be wired directly into a RES-400 or RES-600 music switcher.

There are two ways to remedy this problem.

Solution #1: Easiest solution is to upgrade to the Sigtronics RES-401 or RES-601 music switcher. Already designed for these types of music sources as well as low level headphone or line level outputs. The RES-401 / RES-601 will plug into the same connectors as the RES-400 / RES-600 with only the music input needing rewiring.

Solution #2: Install a "Floating Ground Adapter" or four wire to three wire converter between the music source and the RES-400 / RES-600. These type of adapters can be found at specialty automotive stereo stores or fabricated per the following drawing:

***** This modification is for the technically capable only! *****



The resistors may get warm, so mount in appropriate enclosure.



Sigtronics Corporation
178 East Arrow Highway
San Dimas, Ca 91773
(909) 305-9399
www.sigtronics.com