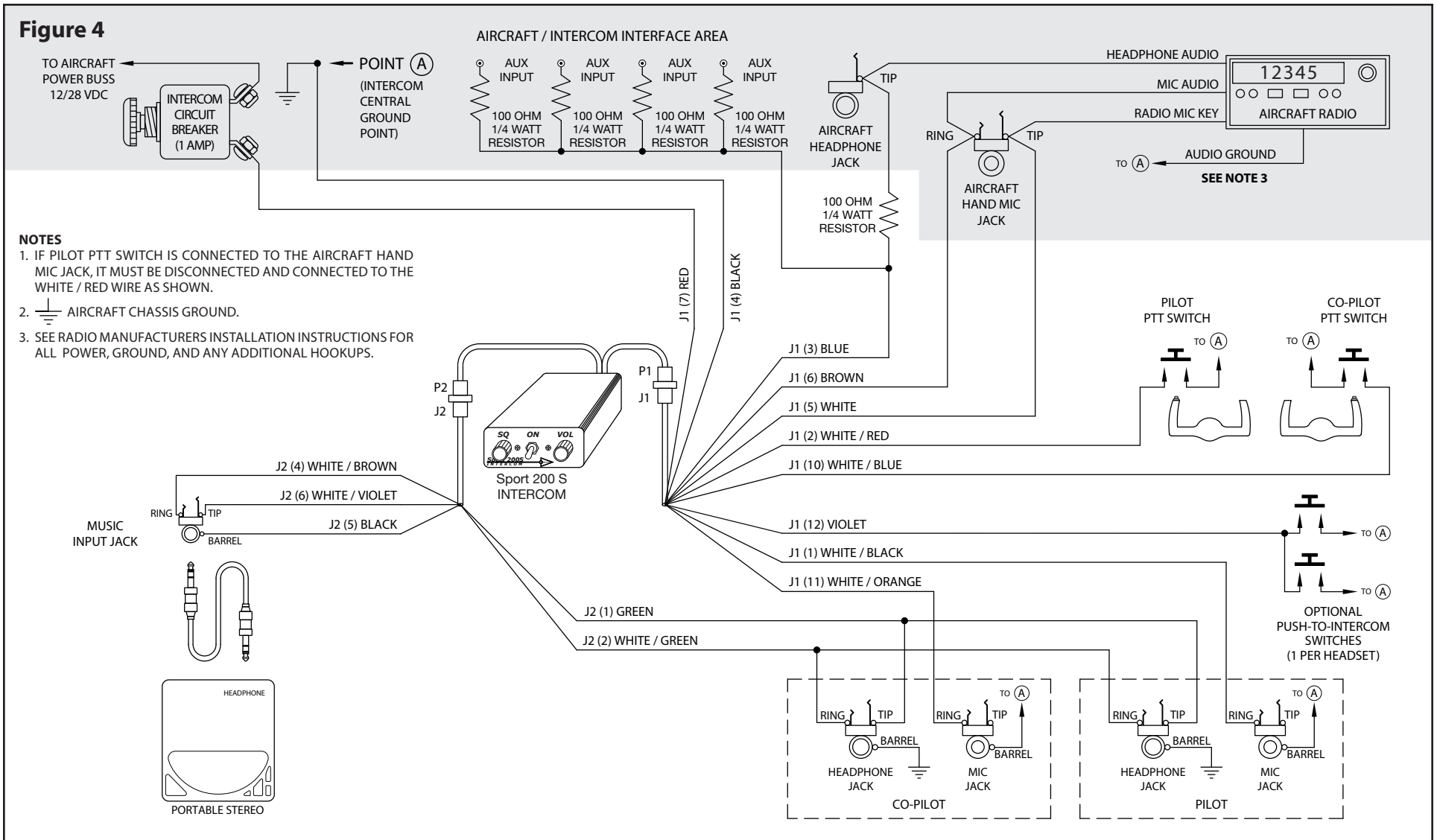


**Figure 4**



**NOTES**

1. IF PILOT PTT SWITCH IS CONNECTED TO THE AIRCRAFT HAND MIC JACK, IT MUST BE DISCONNECTED AND CONNECTED TO THE WHITE / RED WIRE AS SHOWN.
2. AIRCRAFT CHASSIS GROUND.
3. SEE RADIO MANUFACTURERS INSTALLATION INSTRUCTIONS FOR ALL POWER, GROUND, AND ANY ADDITIONAL HOOKUPS.

**Sport 200S – AUX Audio Inputs Installation Wiring Diagram**

